



**Contemporary
Cast-iron
Fireplaces
&
Mantels**

Integra



gas

Electra



electric



Efficiency and Style

Welcome to the Integra Collection, a range of patented Integra Gas and Electra Electric cast-iron fireplaces and mantelpieces.

The Integra concept combines a choice of unique cast-iron fireplace with some of the most efficient and environmentally friendly gas fires on the market today.

The Electra concept combines the choice of cast-iron fireplace with an attractive electric fire with a realistic flame effect and a 2kW fan heater.

Integra and Electra engines can be fitted into almost any flue application including homes with no chimney (a suitable flat wall will suffice).

Our castings, mantels, gas fires, tiles and hearths are all interchangeable so you can design your own fireplace or even use your own mantelpiece if suitable.

Some designs are contemporary and minimalist whilst others are more traditional and ornate. Our castings include a **choice of finishes**, matt black, antique (graphite) or highly polished.

Whatever your taste in fireplaces, we hope you enjoy viewing our Collection of Integra and Electra cast-iron fires. Maybe you will find something perfect to suit both your home and your lifestyle.

Cast	Jesmond Integra
Finish	Matt Black
Mantel	Ripon
Material	Mocha Beige
Shelf Length	1350 mm (53")
Hearth	Polished Granite
Size	1350mm x 380mm x 50mm

See page 22 for more information about the 'Jesmond Integra'

Contents

Fireplace Options 4
Gas Fire Options 5
Integra Arched Inserts 6
<i>Majestic Integra</i> 7
<i>Royal Integra</i> 9
<i>Regal Integra</i> 11
<i>Viscount Integra</i> 13
<i>Marquis Integra</i> 15
<i>Ashbourne Integra Black</i> 16
<i>Ashbourne Integra Polished</i> 17
Integra Combinations 18-19
<i>Ashbourne Integra Combination</i> 20
<i>Majestic Integra Combination</i> 21
Integra Tiled Inserts 22
<i>Jesmond Integra</i> 23
<i>Oxford Integra</i> 24
<i>Aston Integra</i> 25
<i>Glen Integra</i> 26
<i>Eden Integra</i> 27
Electric Fire Options 28
<i>Majestic Electra</i> 29
<i>Ashbourne Electra</i> 31
<i>Viscount Electra</i> 32
Electra Combinations 34-35
<i>Ashbourne Electra Combination</i> 36
<i>Majestic Electra Combination</i> 37
Wood Mantels 38-39
Micro Marble Mantels 40
Pure Marble Mantels 41
Black Granite Mantels 42
Limestone Mantels 43
Hand Painted Tubeline Tiles 44
Cast-iron Sleeves 45
Cast-iron Specifications 46
Gas Fire Specifications 47

Supply Policy

Cast Tec and its distributors only supply reputable outlets that display its products in a showroom and have the facility to arrange the installation of an Integra suite by a Gas Safe Registered Engineer.

Professional advice and experience are essential when contemplating the purchase and fitting of an Integra fireplace as every fireplace installation is unique and is governed by regulation.

Installation of an Electra suite requires a suitable electric socket or spur and a flat wall that is wider than the mantelshelf length. If a suitable electrical point is not available please consult a qualified electrician.

To locate your local Retailer please use the contact details on the back cover.

Fireplace Options

Cast-iron Fires



The Integra Collection boasts a range of beautiful cast-iron fireplaces that can be used for gas and electric (for solid fuel, a separate brochure is available from your Retailer).

Manufactured in the time honoured tradition, these castings can be plain and simple, decorative and ornate, traditional or contemporary.

Castings can also have various finishes such as matt black, full polish, highlight polished (showing intricate detail) or traditional antique (graphite similar to black lead).

Integra castings come in two different groups; inserts and combinations. Inserts require a separate mantelpiece whilst Combinations are supplied with a cast-iron shelf attached.

Stone Mantels



The Integra Collection has a range of beautiful hand-crafted stone mantels in marble, granite and limestone.

Designs, many of which are available in two shelf sizes, 1500mm (59") or 1350mm (53"), can be viewed on pages 40 to 43.

Wood Mantels



The Integra Collection has a range of timber mantels which can be viewed at a glance on pages 38 and 39.

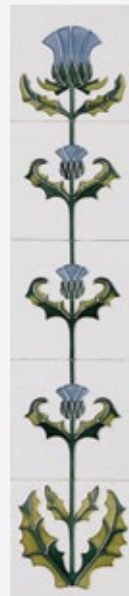
Mantels are available in **Solid Oak** or **Solid Pine** in a variety of finishes and they tend to vary in size.

Tiles

Some of our Integra inserts require ceramic tile sets (or cast-iron sleeves).

Two five tile runs make up a tile-set. On page 44 you will see our full range of hand painted tube-lined tiles which are manufactured in the traditional way.

Most tile designs have several colour options and some designs have a left and right hand side.



Thistle of Tay



Med Poppy Sleeve

Cast-iron sleeves come in pairs and can be finished in highlight polish, antique finish or matt black.

Hearths



Hearths are available in black granite or porcelain Ciara Slate tiles.

Black Granite Hearths can be highly polished or honed (matt finish) and come in standard sizes (overall height 50mm) to suit our mantels. Bespoke sizes are available upon request.

Ciara Slate porcelain tiled hearths are slate grey in colour and are supplied slabbed up in one piece. Hearths can be any size (individual tiles are 146mm square).

Gas Fire Options

The Integra Collection boasts a range of gas appliances that fit into any flue application including homes without a chimney.

Called **Integra Engines**, these gas fires are manufactured in the UK, to the highest of standards and are

amongst the most efficient fires available in the market today. Options depend upon the flue type you have in your home and this is set out clearly below. Technical information such as outputs, efficiency and ignition options are available on page 47.

Traditional Chimneys (Class 1)

Traditional chimneys (or Class 1 Flues) tend to be of brick construction with a stack on the roof (and terracotta pot). The internal cross section is a minimum of 225mm x 225mm (but fabricated metal flue options can have an internal diameter of 175mm).



Cast Tec offer three Integra gas fire engines for Class 1 Flues: the **Integra HO (High Output)**, an open fronted radiant option, the **Convactor Plus**, an open fronted convactor option and the **Integra HE (High Efficiency)**, a glass fronted option.

Pre-cast Flues



Pre-cast flues are normally produced from concrete blocks which provide a rectangular flue way inside the wall cavity. The terminal usually consists of a ridge tile on the apex of the roof. For Pre-cast flues and Class 2 flues, Cast Tec offer a slimline gas fire engine called the **Classic Multiflue**.

Pre-fabricated Flues (Class 2)

Pre-fabricated flues (or Class 2 Flues) are usually constructed of steel sections with an internal diameter of 125mm. These flues usually have a recessed flue box (housing the gas fire) which connects to the bottom of the flue system and there is a metal terminal on the roof.



Cast Tec offer three Integra gas fire engines for Class 2 Flues: the **Integra HO (High Output)**, an open fronted radiant option, the **Convactor Plus**, an open fronted convactor option and the **Integra HE (High Efficiency)**, a glass fronted option.

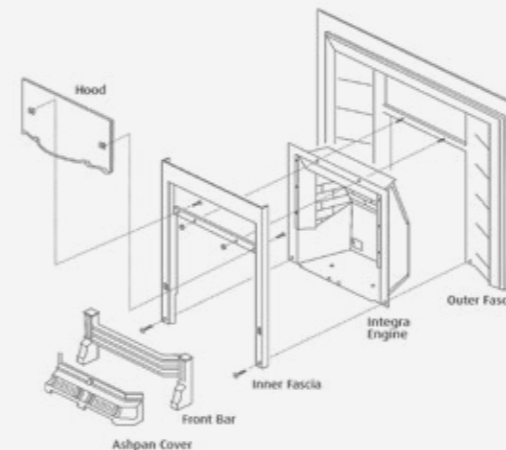
No Chimney Options



For rooms with no chimney or flue but a suitable external wall Cast Tec offer a **Fan Assisted** version of the **Integra HO** gas fire engine or alternatively a **Balanced Flue** version of the **Integra HE** gas fire engine.



Integra Assembly



Integra Arched Inserts

Majestic Integra

The **Integra Collection** has three types of cast-iron fireplace available to suit our efficient Integra gas fire range. This section deals with our Arched Inserts (which require a separate mantelpiece). Integra Combinations (with a small cast-iron shelf attached) can be found on page 18 and Tiled Inserts can be found on page 22.

Arched Inserts come in two distinctive designs.

The first design is a simple arch, which has a contemporary feel and is available in five different finishes as shown below and to the right.

These inserts are shown in a room setting from pages 7 to 17.



Royal



Majestic



Regal



Viscount



Marquis

The second design, called the Ashbourne, is decorative, with a more traditional feel and is available in either a matt black finish, or a polished finish that highlights the intricate detail on the casting.

Integra Arched Inserts, shown on pages 7 to 17, can be fitted with any mantelpiece shown in the brochure, allowing you to create your own unique fireplace combination.



Ashbourne Black



Ashbourne Polished



Cast	Majestic Integra
Finish	Highlight Polished
Mantel	Flat Victorian
Material	Turkish Limestone
Shelf Length	1500mm as shown (or 1350mm)
Hearth	Polished Granite
Size	1450mm x 430mm (or 1300mm x 380mm)

The **Majestic Integra** is a plain arched insert, in a matt black finish, but with the outer band alone polished.

The mantel shown is the Flat Victorian in Turkish limestone. This mantel is also available in polished Black Granite, Italian Carrara marble and Mocha Beige micro marble.

The Flat Victorian comes in two standard shelf sizes, 1500mm (59") and 1350mm (53").

The Royal Integra is a plain Arched Insert with a matt black finish. The matt black finish allows the casting to compliment a range of decors and it looks at home whether your taste is for a contemporary or traditional setting.

The Royal is shown here with the Hexham mantel in Mocha Beige micro marble. Micro marbles are man-made substances, which consist of 95% pure marble and 5% resin. This mixture creates additional strength and has the advantage of being consistent in colouration whereas pure marbles are liable to colour variation with veining and fissures.

The Hexham Mantel is available in two shelf length sizes, 1500mm (59”) or 1350mm (53”). This mantel is also available in a whiter micro marble, called Polar White, which can be viewed on page 23. All mantels in the Integra Collection are interchangeable.

A highly polished black granite hearth is shown at the base of the fireplace, a nice contrast to the matt black finish of the Royal Integra.



Cast	Royal Integra
Finish	Matt Black
Mantel	Hexham
Material	Mocha Beige
Shelf Length	1500mm as shown (or 1350mm)
Hearth	Polished Granite
Size	1450mm x 430mm (or 1300mm x 380mm)

The Regal Integra is a plain arched insert with the inner and outer bands polished along with the canopy rim and fire-front.

The Regal is seen sitting on a polished black granite hearth, which shows a pleasant reflection of the polished area of the casting.

The Mantel shown is the Alnwick in Mocha Beige micro marble. This mantel is available in two shelf sizes, 1500mm (59") and 1350mm (53").

The Alnwick is also available in Polar White.

All mantels in the Integra Collection are interchangeable.



Cast	Regal Integra
Finish	Highlight Polished
Mantel	Alnwick
Material	Mocha Beige
Shelf Length	1500mm as shown (or 1350mm)
Hearth	Polished Granite
Size	1500mm x 430mm (or 1350mm x 380mm)

The Viscount Integra is a plain Arched Insert with an elegant half polish finish. This polished area, to the interior of the casting, blends in exquisitely with the highly polished finish to the black granite hearth. A more discreet look can be achieved by using a honed granite hearth, which displays more of a dull or matt finish.

The Viscount is shown here with the Durham Mantel in beautiful Crema Marfil pure marble from Spain. Pure marbles are individually unique and their beauty tends to be their variation in colour and veining.

If you feel that more consistency in colouration is important, the Durham is also available in Mocha Beige micro marble, a man-made substance consisting of 95% crushed marble and 5% resin. This mixture has no veining and has the advantage of being consistent in colouration.

The Durham Mantel is available in two shelf length sizes, 1500mm (59") or 1350mm (53"). All mantels in the Integra Collection are interchangeable.



Cast	Viscount Integra
Finish	Half Polish
Mantel	Durham
Material	Crema Marfil
Shelf Length	1500mm as shown (or 1350mm)
Hearth	Polished Granite
Size	1450mm x 430mm (or 1300mm x 380mm)

The Marquis Integra is a plain Arched Insert with a stunning full polished finish. This creates a very contemporary feel and there's no doubt that this model likes to be noticed.

The Marquis is shown here with the rather splendid looking Durham Mantel, in Black Granite from the Shanxi region of China. A matching granite hearth combines with the mantel to create a strong contrast against the full polish sheen of the Marquis casting.

The Durham Mantel is available in two shelf length sizes, 1500mm (59") or 1350mm (53"). This mantel is also available in Crema Marfil pure marble from Spain (see page 13) and in Mocha Beige man-made micro marble.

All mantels in the Integra Collection are interchangeable.



Cast	Marquis Integra
Finish	Full Polish
Mantel	Durham
Material	Black Granite
Shelf Length	1500mm as shown (or 1350mm)
Hearth	Polished Granite
Size	1450mm x 430mm (or 1300mm x 380mm)

Ashbourne Integra Black



Cast Ashbourne Integra
Finish Matt Black

Mantel Verona
Material Italian Carrara
Shelf Length 1500mm (59")

Hearth Polished Granite
Size 1450mm x 430mm (57" x 17")

The Ashbourne Integra is a decorative arched insert and is shown here in a subtle matt black finish.

The fire-front sports a traditional bow design.

The Ashbourne is shown with the Verona mantel in Carrara pure Italian marble. This mantel displays attractive carved corbels which help to support the top shelf and has a standard shelf length of 1500mm (59").

For those with a small chimney breast, a Victorian Corbel mantel is available in Carrara or Turkish Limestone but with a smaller shelf length of 1350mm (53").

Ashbourne Integra Polished



Cast Ashbourne Integra
Finish Highlight Polished

Mantel William IV
Material Italian Carrara
Shelf Length 1500mm (59")

Hearth Honed Granite
Size 1450mm x 430mm (57" x 17")

The Ashbourne Integra is a decorative arched insert and is shown here in a polished finish which highlights the intricate detail of the design.

The Ashbourne is displayed here with the rather grand William IV mantel in Carrara Italian marble. (Carrara tends to have a white to grey background with distinctive grey veining and is subject to natural variation).

The William IV mantel has two substantial corbels which help to support the top shelf and has a standard shelf length of 1500mm (59"). The mantel is seen sitting on a honed black granite hearth.

Integra Combinations

Integra Combinations combine a cast-iron fire-place insert with a small top shelf, thereby reducing the need for a separate mantelpiece. With a total width of only 1120mm (44") this fireplace is ideal to suit the smaller chimneybreast or a small living room.

Another advantage of an Integra Combination is that it can usually be installed against your wall or chimneybreast without the need to knock into the brickwork (other than a flue connection or outlet required by your chosen gas appliance). This means that the fireplace will be easier to install by your Gas Safe registered engineer.

The Integra Combination is shown with a standard granite hearth (1050mm x 380mm x 50mm). This granite hearth can be highly polished (reflecting the polished area of the cast-iron fire) or honed (which is a rather matt finish).



Ashbourne Polished



Royal



Majestic



Ashbourne Black

The Integra Combination is available in two different designs.

The Ashbourne, shown on this page and page 20, is the more decorative of the two designs. A polished option (see above) highlights the intricate detail of the casting. A matt black option (shown to the left) produces a more understated or discreet look.

The second design is a simple plain arch, which can be polished in four different ways (see page 19). The Royal is matt black, the Majestic (see page 21) has one polished arch band, the Regal has two polished bands with a polished canopy and fire front whilst the Viscount is completely half polished.

Integra Combinations can be used with our full range of Integra gas fire engines.



Regal



Viscount

Integra Combinations

Ashbourne Integra Combination



Cast | Ashbourne Combination
Finish | Highlight Polished

Dimensions

Shelf Length | 1120mm
Height | 1120mm
Base | 1007mm

Hearth | Polished Granite
Size | 1050mm x 380mm x 50mm

The Ashbourne Combination is shown in an attractive highlight polished finish which depicts the intricate floral design of the casting. The Ashbourne is also polished around the canopy rim and fire-front which displays a traditional bow design in the centre.

This Combination is also available in matt black (as shown on previous page) and with a top shelf length of only 1120mm (44") will fit onto the majority of smaller chimney breasts or look ideal in a small living room.

The Ashbourne Combination is shown sitting onto a polished black granite hearth.

Majestic Integra Combination



Cast | Majestic Combination
Finish | Highlight Polished

Dimensions

Shelf Length | 1120mm
Height | 1120mm
Base | 1007mm

Hearth | Polished Granite
Size | 1050mm x 380mm x 50mm

The Majestic Combination shown here is one of our plain design castings and is matt black with one arched band and the top shelf rim polished.

The same design of casting is available in four different finishes and a gallery of these models can be seen on page 19.

The Majestic Combination, shown sitting onto a polished black granite hearth, has a top shelf length of only 1120mm (44") which makes it ideal to fit onto a small chimney breast or into a small living room.

Integra Tiled Inserts

Integra Tiled Inserts differ from arched inserts in that they have a more square design and can accommodate a set of ten ceramic tiles or a pair of cast-iron sleeves.

There are five different tiled insert designs (see pages 23-27) with options of a polished, matt black or antique finish.



Jesmond Integra Black

The **Jesmond Integra** is a plain tiled insert which is available in a matt black finish (see inset/page 2) or a full polish finish (see page 23).

The Mantel shown is the Ripon in Polar White micro marble. This mantel comes with a standard 1350mm (53") shelf length and is also available in Mocha Beige micro marble.

The Jesmond Integra is displayed with a honed black granite hearth and a set of Thistle of Tay hand painted tube lined tiles.

Cast	Jesmond Integra
Finish	Full Polish
Mantel	Ripon
Material	Polar White
Shelf Length	1350mm (53")
Hearth	Honed Granite
Size	1350mm x 380mm (53" x 15")

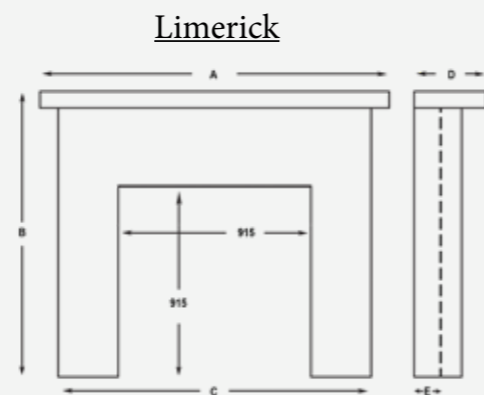




Cast	Oxford Integra
Finish	Highlight Polished
Mantel	Limerick
Material	Cast-iron
Shelf Length	1530mm (60")
Tiles	Field Poppy
Colour	Ivory Yellow
Hearth	Polished Granite
Size	1450mm x 430mm (57" x 17")

The Oxford Integra is a traditional tiled insert in the Art Nouveau style and is shown here in a highly polished finish (also available in matt black).

The Oxford is displayed with the Limerick polished cast-iron mantel (also available in matt black).



A	B	C	D	E (Rebate)
1530	1205	1400	225	70



Cast	Aston Integra
Finish	Antique (graphite)
Mantel	Brampton
Material	Solid Oak
Shelf Length	1370mm (54")
Tile	Oriental Iris
Colour	Ivory Blue
Hearth	Honed Granite
Size	1350mm x 380mm (53" x 15")

The Aston Integra is a traditional tiled insert with an attractive patterned design. Shown here in an antique (graphite) finish, the Aston is also available in a matt black or highlight polished finish.

The Aston is displayed with the Brampton mantel in solid oak, the Iris tile set in blue and ivory and a honed black granite hearth.

Our full range of hand painted tile sets and cast-iron sleeve alternatives are shown on pages 44 and 45 and our full range of oak mantels can be seen on pages 38 and 39 (all interchangeable).





Cast	Glen Integra
Finish	Matt Black
Mantel	Coniston
Material	Solid Oak
Shelf Length	1370mm (54")
Tiles	Tulip
Colour	Honey Yellow
Hearth	Honed Granite
Size	1350mm x 380mm (53" x 15")

The Glen Integra is a traditional tiled insert with an intricate patterned design.

Shown here in a matt black finish, this model is also available in an antique (graphite) or highly polished finish.

The mantel displayed is the Coniston in solid oak with the Tulip hand painted tile set in honey and yellow and a honed black granite hearth.

Our full range of hand painted tile sets and cast-iron sleeve alternatives are shown on pages 44 and 45 and our full range of oak mantels can be seen on pages 38 and 39 (all interchangeable).



Cast	Eden Integra
Finish	Antique (graphite)
Mantel	Sherwood
Material	Solid Oak
Shelf Length	1370mm (54")
Tiles	Foxglove
Colour	Ivory Burgundy
Hearth	Honed Granite
Size	1350mm x 380mm (53" x 15")

The Eden Integra is a traditional tiled insert with an ornate patterned canopy shown here in an antique (graphite) finish. This model is also available in a matt black finish.

The Eden is displayed inside the Sherwood Mantel in solid oak and is displayed with a Foxglove hand painted tile set in burgundy and ivory and a honed black granite hearth.

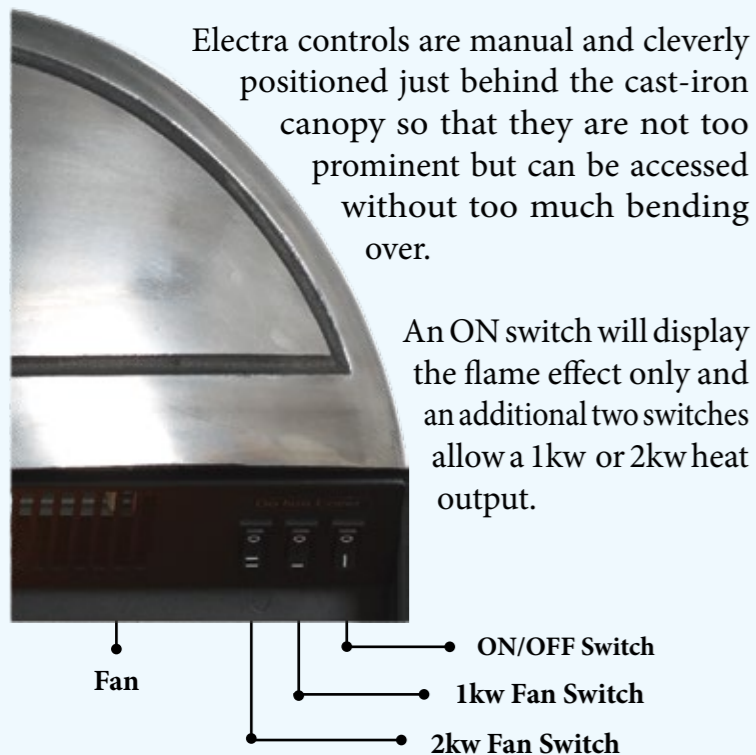
Our full range of hand painted tile sets and cast-iron sleeve alternatives are shown on pages 44 and 45 and our full range of oak mantels can be seen on pages 38 and 39 (all interchangeable).

Electric Fire Options



Electra Engine

Our dedicated Electra Engine has a realistic flame effect and produces up to 2kW in fan-assisted heat if required, however, in the summer months you may opt for the attractive flame effect only.



The Integra Collection provides a substantial range of electric fire options using an inset electric fire called an Electra Engine.

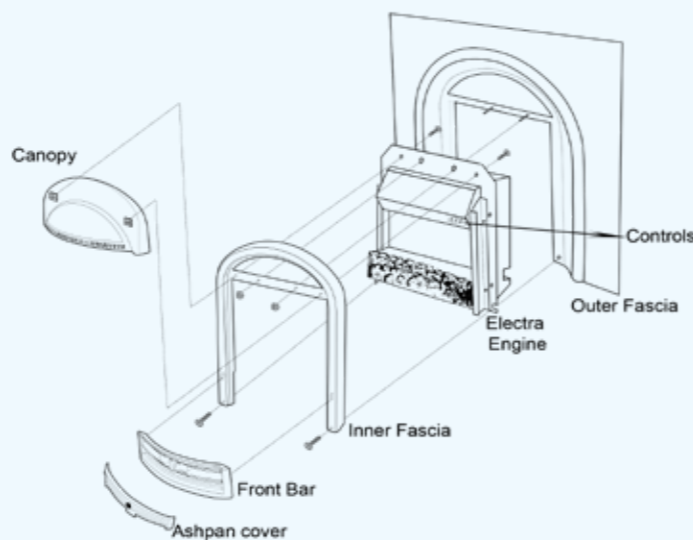
The Electra range includes Arched Cast-iron Inserts (pages 29-33), which are similar in many ways to their gas fire counterparts

Arched inserts can be housed inside a standard 75mm (3") rebated mantel, which means that the complete fireplace can be installed against any suitable flat wall with only the skirting to remove.

All mantelpieces in the Integra Collection can be fitted with your arched insert and even your own mantelpiece can be used if suitable. Solid granite hearths can also be supplied in standard or bespoke sizes in a polished or honed (matt) finish.

Electra options also include a range of Combinations, which are manufactured in cast aluminium rather than cast-iron (see pages 34-37). These Combinations can be fitted against any suitable flat wall and arrive as a suite. This suite includes the electric engine and a black granite hearth.

Electra Assembly



Majestic Electra

Cast Finish	Majestic Electra Highlight Polished
Mantel Material	Victorian Corbel Turkish Limestone
Shelf Length	1500mm (as shown) or 1350mm
Hearth Size	Porcelain Tiled Hearth 1460mm x 438mm (57" x 17")

The Majestic Electra is a plain arched design with a polished arched band contrasting nicely with a matt black interior and exterior.

The mantel shown is the Victorian Corbel in Turkish Limestone.

The Majestic Electra and Victorian Corbel mantel are shown sitting on a Ciara Slate porcelain tiled hearth.

The Ashbourne Electra, shown on page 31, looks majestic in a highlight polished finish depicting the intricate detail on the casting. The Ashbourne is also available in a matt black or an antique (graphite) finish.

The mantel shown is the Corinthian in Carrara Italian pure marble. The Corinthian has two beautifully hand carved acanthus leaf flowers in the top corners and a two tier top shelf. The white and grey veining of the marble contrasts wonderfully against the high sheen of the polished black granite hearth.



Ashbourne Electra Black

Cast	Ashbourne Electra
Finish	Highlight Polished
Mantel	
Material	Italian Carrara
Shelf Length	1500mm (59")
Hearth	
Size	Polished Granite 1450mm x 430mm (57" x 17")



Viscount Electra



The **Viscount Electra** is a plain arched design which has a half polish finish (polished interior but matt black exterior).

The same model is available with a Full Polish finish as the **Marquis Electra**. The mantel shown is the **Athena** in polished black granite with matching hearth. The **Athena** mantel comes in two shelf sizes, 1500mm (59") or 1350mm (53") and is available polished or honed.



Marquis Electra Full Polish

Cast	Viscount Electra
Finish	Half Polished
Mantel	Athena
Material	Black Granite
Shelf Length	1500mm (as shown) or 1350mm
Hearth	Polished Granite
Size	1450mm x 430mm (or 1300mm x 380mm)

Electra Combinations

Electra Combinations combine a cast aluminium fireplace insert with a small top shelf, thereby reducing the need for a separate mantelpiece. With a total width of only 1120mm (44") this fireplace is ideal to suit the smaller chimneybreast or a small living room.

Another advantage of an Electra Combination is that it can be fitted against a flat wall without the need to knock into the brickwork. This means that the fireplace will be easy to install, with only the skirting to remove and the need for a nearby electrical supply.

Electra Combinations are supplied as a suite, which includes the realistic Electra Engine fire and a standard granite hearth (1050mm x 305mm x 50mm). This granite hearth can be highly polished (reflecting the polished area of the cast-iron fire) or honed (which is a rather matt finish).



Ashbourne Polished



Royal



Majestic



Ashbourne Black

The Electra Combination is available in two different designs.

The Ashbourne, shown on this page, is the more decorative of the two designs. A polished option (see above) highlights the intricate detail of the casting. A matt black option (shown to the left) produces a more understated or discreet look.

The second design is a simple plain arch, which can be polished in four different ways (see page 35). The Royal is matt black, the Majestic has one polished arch band, the Regal has two polished bands with a polished canopy and fire front whilst the Viscount is completely half polished.



Regal



Viscount

Ashbourne Electra Combination



Cast | Ashbourne Electra Combination
Finish | Highlight Polished

Dimensions

Shelf Length | 1130mm
Height | 1120mm
Base | 1015mm

Hearth | Polished Granite
Size | 1050mm x 380mm x 50mm

The Ashbourne Electra Combination is shown in an attractive highlight polished finish which depicts the intricate floral design of the casting. The Ashbourne is also polished around the canopy rim and fire-front which displays a traditional bow design in the centre.

This Combination is also available in matt black (as shown on previous page) and with a top shelf length of only 1120mm (44") will fit onto the majority of smaller chimney breasts or look ideal in a small living room.

The Ashbourne Combination is shown sitting onto a polished black granite hearth.

Majestic Electra Combination



Cast | Majestic Electra Combination
Finish | Highlight Polished

Dimensions

Shelf Length | 1130mm
Height | 1120mm
Base | 1015mm

Hearth | Polished Granite
Size | 1050mm x 380mm x 50mm

The Majestic Electra Combination shown is one of our plain design castings and is matt black with one arched band and the top shelf rim polished.

The same design of casting is available in four different finishes and a gallery of these models can be seen on page 35.

The Majestic Combination, shown sitting onto a polished black granite hearth, has a top shelf length of only 1120mm (44") which makes it ideal to fit onto a small chimney breast or into a small living room.

Wood Mantels

These mantels are also available in Solid Pine as part of the Arbeia Pine Collection.

The CastTec Arbeia Mantel Collection is a range of beautiful wooden fire surrounds manufactured in Solid Oak or Solid Pine.

Our Solid Oak mantels are available in a light or medium (more rustic) oak stain but can also be supplied without a finish at a slightly reduced cost (to enable you to stain, wax or lacquer in a bespoke way).

It is sometimes necessary to join some wood pieces together in order to reduce wastage and costs but this is done sympathetically and we can guarantee that our mantels are solid throughout and that no wood substitutes such as mdf or veneers are used.

Our Solid Pine mantels (same designs as in oak) are available in an antique pine stain but can also be supplied with no finish at a slightly reduced cost.



Bamburgh

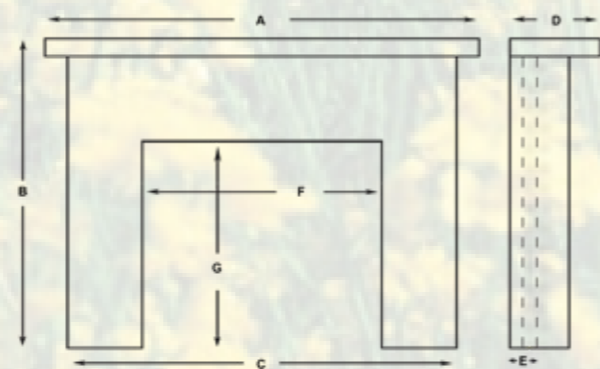
Our largest mantel, the Bamburgh, is only manufactured in Solid Oak. Your Arbeia Collection Mantel is normally delivered assembled in

one piece, however, the manufacturing process of the mantel enables it to be delivered in flat pack as well.



Mantel Dimensions

	A	B	C	D	E	F	G
Balmoral	1370	1135	1230	215	75	915	915
Bamburgh	1630	1310	1460	304	75	1020	990
Brampton	1370	1150	1295	220	75	915	915
Coniston	1370	1190	1275	190	75	915	915
Corbel	1400	1150	1330	215	75	915	915
Flat Victorian	1450	1150	1335	200	75	915	915
Richmond	1470	1145	1330	240	75	915	915
Rothbury	1370	1150	1230	180	75	915	915
Sherwood	1350	1175	1280	220	75	915	915
Tulip	1310	1135	1210	205	75	915	915



The standard internal rebate of our mantels is 30mm, with a further 45mm detachable if required, creating a combined rebate of 75mm (3").



Rothbury



Coniston



Flat Victorian



Brampton



Sherwood



Tulip



Balmoral



Corbel



Richmond

Micro Marble Mantels

The **Integra Collection** offers a range of beautiful man-made marble mantelpieces, which are known as micro marbles. Micro marbles consist of 95% pure marble and 5% resin. This mixture creates additional strength and has the advantage of being consistent in colouration, whereas pure marbles are liable to colour variation with veining and fissures.

Micro marbles are available in two different colours, Mocha Beige and Polar White (their names giving a good indication of their actual colour).



Hexham
(Mocha Beige)



Durham
(Mocha Beige)



Ripon
(Polar White)



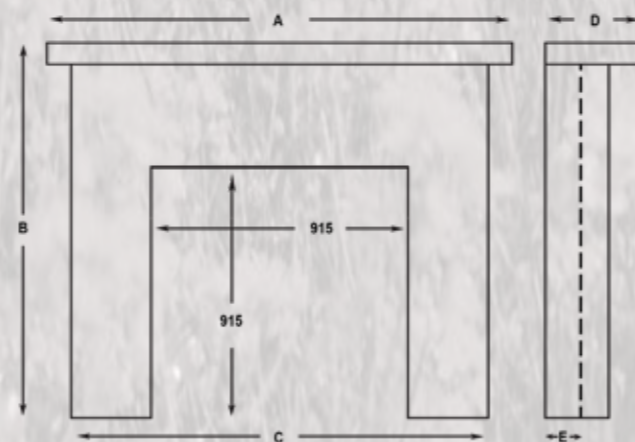
Alnwick
(Mocha Beige)

Mantel Dimensions

	A	B	C	D	E
Alnwick	1500 *	1220	1335	260	75
Durham	1500 *	1170	1350	300	75
Flat Victorian	1500 *	1145	1355	180	75
Hexham	1500 *	1245	1330	310	75
Ripon	1350	1190	1285	290	75

* Comes with a standard shelf length of 1500mm (59") but a smaller size including a 1350mm (53") shelf length is also available.

Base (C) and **Internal Width** measurements can be varied on many of these mantels by moving the mantel legs closer together (less than 915mm) or further apart.



Pure Marble Mantels

The **Integra Collection** offers a range of stunning pure marble mantelpieces in two different materials, Italian Carrara and Spanish Crema Marfil.

Pure marble, being natural stone, will differ in colouration from mantel to mantel and the marble you may see in a showroom will not be the same as the marble you purchase, however, it will be similar and this is often considered to be the beauty of pure marble.

If you want to guarantee consistency in colouration it will be better to go for the man-made micro marbles on page 40, which are far more consistent.



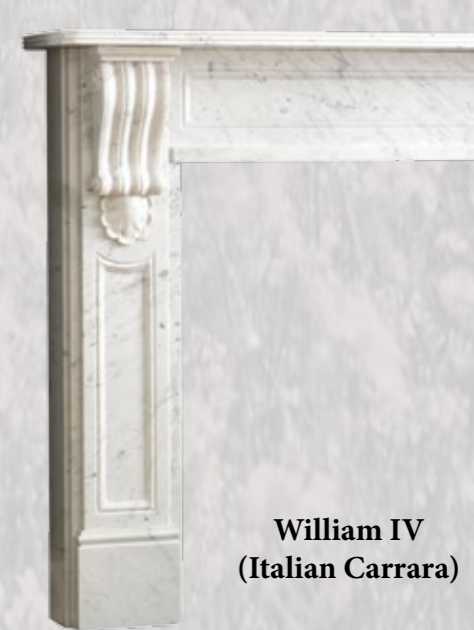
Corinthian
(Italian Carrara)



Verona
(Italian Carrara)



Durham
(Crema Marfil)



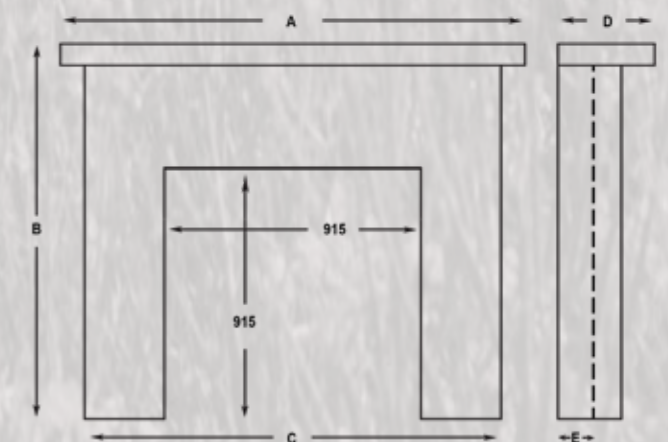
William IV
(Italian Carrara)

Mantel Dimensions

	A	B	C	D	E
Corinthian	1500	1140	1395	230	75
Durham	1500 *	1170	1350	300	75
Flat Victorian	1500 *	1145	1355	180	75
Verona	1500	1150	1425	250	75
Victorian Corbel	1500 *	1190	1350	300	75
William IV	1500	1170	1375	300	75

* Comes with a standard shelf length of 1500mm (59") but a smaller size including a 1350mm (53") shelf length is also available.

Base (C) and **Internal Width** measurements can be varied on many of these mantels by moving the mantel legs closer together (less than 915mm) or further apart.



Black Granite Mantels

The **Integra Collection** offers a range of solid black granite mantels providing a sturdy and elegant alternative to marble.

Our granite is sourced from the Shanxi region of China, and whilst it is more consistent than marble, it is still a natural material and can vary between dark grey and black in colouration.

Three designs of mantel (shown below) are readily available, the Flat Victorian, the Athena and the Durham. The William IV design (see Page 17) is occasionally stocked but this is not always guaranteed.



Athena



Flat Victorian



Athena



Durham

Limestone Mantels

The **Integra Collection** offers a range of exquisite limestone mantels in three traditional designs.

Our limestone is Turkish, and whilst it is more consistent than marble, with less veining, it is still a natural material and can vary slightly in colouration and occasionally throws up the odd impregnated fossil.

If you are looking for perfect consistency in colouration it may be better to go for man-made micro marbles such as Mocha Beige (similar to limestone) on page 40, which is very consistent.



Flat Victorian



Flat Victorian



Edwardian Corbel



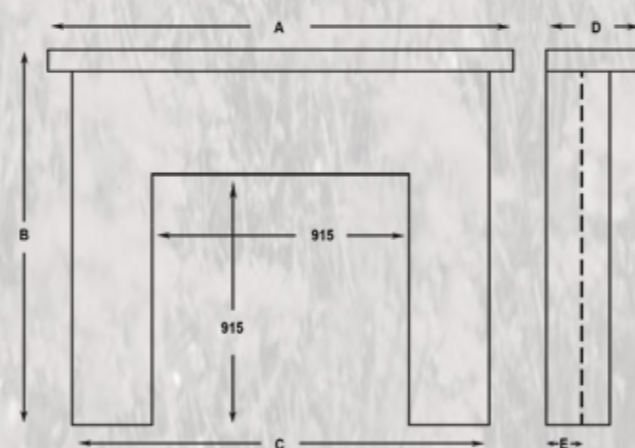
Victorian Corbel

Mantel Dimensions

	A	B	C	D	E
Athena	1500 *	1150	1355	250	75
Durham	1500 *	1170	1350	300	75
Flat Victorian	1500 *	1145	1355	180	75
William IV	1500	1170	1375	300	75

* Comes with a standard shelf length of 1500mm (59") but a smaller size including a 1350mm (53") shelf length is also available.

Base (C) and Internal Width measurements can be varied on many of these mantels by moving the mantel legs closer together (less than 915mm) or further apart.

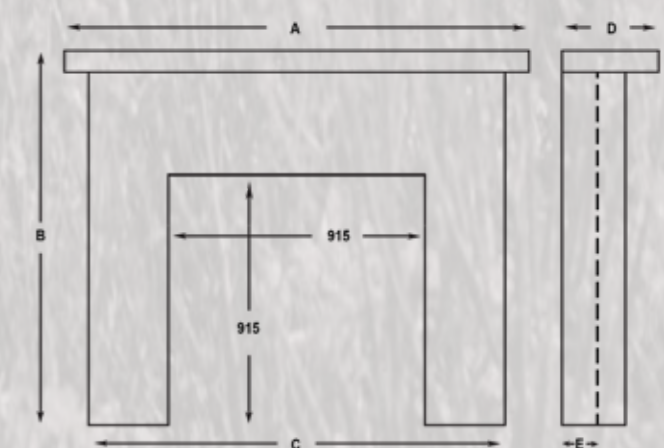


Mantel Dimensions

	A	B	C	D	E
Edwardian Corbel	1500 *	1145	1335	250	75
Flat Victorian	1500 *	1145	1355	180	75
Victorian Corbel	1500 *	1190	1350	300	75

* Comes with a standard shelf length of 1500mm (59") but a smaller size including a 1350mm (53") shelf length is also available.

Base (C) and Internal Width measurements can be varied on many of these mantels by moving the mantel legs closer together (less than 915mm) or further apart.



Hand Painted Tubeline Tiles

Thistle of Tay



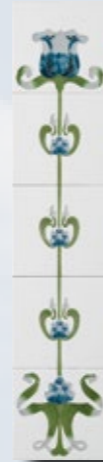
Ivory Blue

Tubeline Tiles were traditionally made to withstand the high temperatures generated by a working fireplace and performed the practical function of reflecting heat into the room when placed at an angle facing inward.

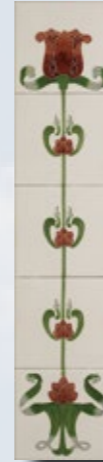
With a choice of six designs and various colour options, two runs of five tiles make up a set to fit into an Integra tiled insert. Poppy tile sets include a left and right-handed design.

Our hand painted tubeline tiles are manufactured in the UK in the traditional way and will be subject to colour variation and crazing.

Tulip



Ivory Blue



Ivory Burgundy

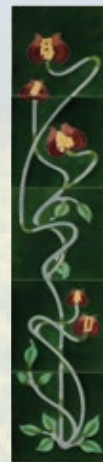


Honey Yellow

Mediterranean Poppy



Ivory Blue



Green Burgundy



Ivory Burgundy



Honey Yellow

Flag Iris



Ivory Burgundy



Honey Yellow



Ivory Blue

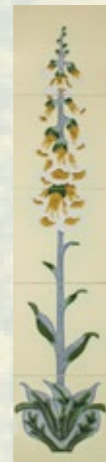
Foxglove



Ivory Blue



Ivory Burgundy



Honey Yellow



Ivory Magenta

Field Poppy



Ivory Blue



Ivory Red



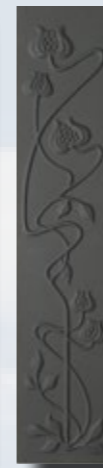
Ivory Yellow

Cast-iron Sleeves

Matt Black



Lily Urm



Med Poppy



Tulip



Art Deco

Cast-iron Sleeves are an alternative to the more colourful tubeline tiles.

Sleeves are supplied in pairs to suit an Integra casting and these are available in a matt black, antique or highlight polished finishes.

There is a choice of four cast-iron sleeve designs and the Mediterranean Poppy has a left and right handed design.

Polished



Lily Urm



Med Poppy



Tulip



Art Deco

Cast-iron Care

Packaging

Your Integra/Electra cast-iron fireplace is packaged so as to minimise exposure to adverse elements and should reach you in perfect condition. Your fireplace should be stored in a warm, dry environment and remain packaged until it is ready to be installed. This will prevent accidental damage being caused, which will not be covered under warranty.

Cleaning

Your Integra/Electra casting requires only the minimum upkeep and it should remain in superb condition for many years.

Matt Black finishes can be maintained simply by dusting with a dry paintbrush. Cast Tec matt black stove paint is available for touching up if necessary but expert advice should be taken before application.

Antique finishes can be maintained simply by brushing with a dedicated shoe or polishing brush. Grate polish should only be applied if the original finish becomes too tarnished.

Polished and Highlight Polished areas can be wiped clean with a dry cloth, especially if an 'orange' colour appears on the waxed polished surface after fitting. Severe tarnishing on polished areas can be improved by using a very fine wire wool.

Warning

Cast-iron products are vulnerable to rust and tarnishing if exposed to dampness or water. Avoid using damp clothes, water based liquids, furniture polish, detergents, oils, grease etc. on the surface of the casting. Should your fireplace become wet for any reason, dab it gently with a dry cloth. This should prevent any tarnishing or rust from forming.

It is normal for some discolouration to occur to the working parts of a cast-iron fireplace, especially where it comes into contact with severe heat or a naked flame. This discolouration will not effect the strength or practicality of the parts affected.

General Information

Products shown in this brochure are manufactured for Cast Tec Ltd., who, with a professional group of companies, distribute them exclusively in the U.K.

Goods must be checked prior to installation, as no responsibility will be accepted thereafter for the redecoration, removal or reinstallation of products.

Faulted goods must be reported within 48 hours of delivery or as soon as practicable.

Installation of Integra gas appliances should be carried out by Gas Safe Registered fitters. No responsibility will be accepted for damage

or problems arising from an incorrect or unqualified installation.

Integra is a registered trademark and the Integra Split Fascia Concept is patented.

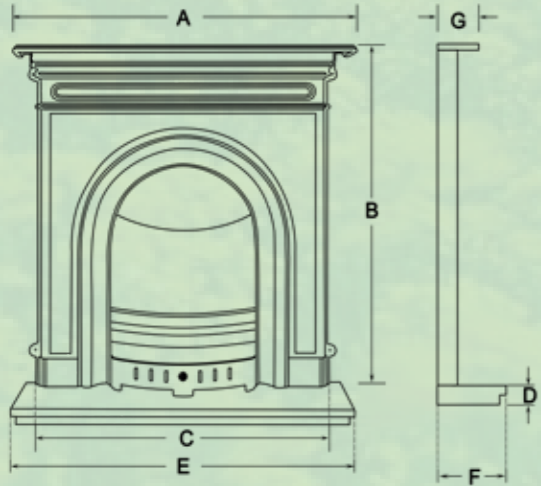
Cast Tec Ltd., reserve the right to delay or withdraw products, change designs, specifications or materials without prior notice due to continuous product development or supply issues.

Photographs and designs shown in this brochure are the copyright and design rights of Cast Tec Ltd. and can only be used or copied with permission.

Cast-iron Specifications

Measurements are in millimetres and can vary due to the manufacturing process.

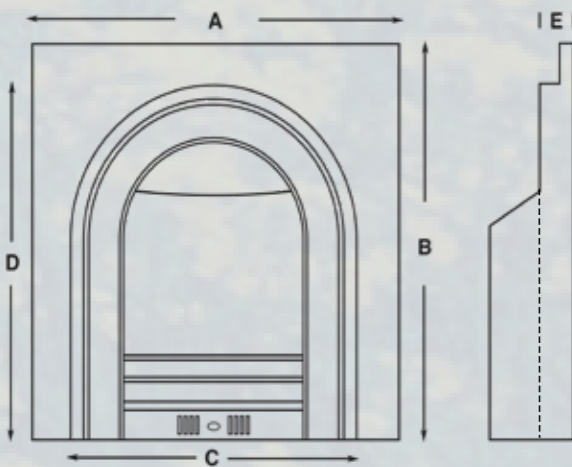
Combinations



	<i>Integra</i>		<i>Electra*</i>	
A: Shelf Length	A	1120	A	1130
B: Height	B	1120	B	1120
C: Base	C	1007	C	1015
D: Hearth Height	D	50	D	50
E: Hearth Length	E	1050	E	1050
F: Hearth Width	F	380	F	305
G: Shelf Width	G	180	G	240

*Electra combinations are manufactured in cast aluminium.

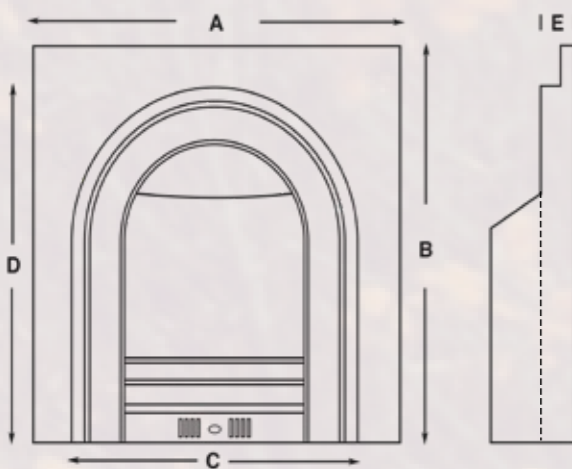
Electra Inserts



	A	B	C	D	E
Royal	944	948	740	844	55
Majestic	944	948	740	844	55
Regal	944	948	740	844	55
Viscount	944	948	740	844	55
Marquis	944	948	740	844	55
Ashbourne	955	955	725	855	50

A: Width. B: Height. C & D: Minimum mantel aperture required E: Depth

Integra Inserts

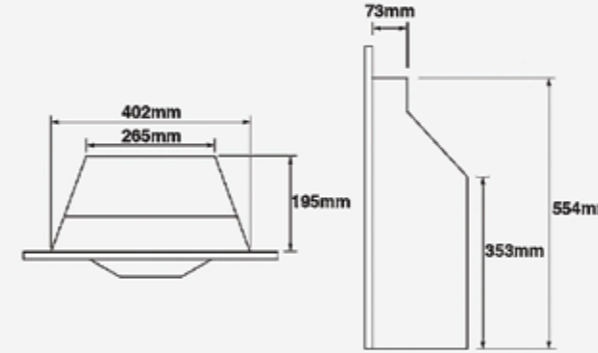


	A	B	C	D	E
Royal	944	941	722	860	55
Majestic	944	941	722	860	55
Regal	944	941	722	860	55
Viscount	944	941	722	860	55
Marquis	944	941	722	860	55
Ashbourne	938	939	725	855	55
Aston	968	958	888	877	70
Eden	968	958	888	877	70
Glen	968	958	888	877	70
Oxford	967	963	887	880	62

A: Width. B: Height. C & D: Minimum mantel aperture required E: Depth

Gas Fire Specifications *Flue Type Options - see page 5*

Integra HO (High Output)



Options

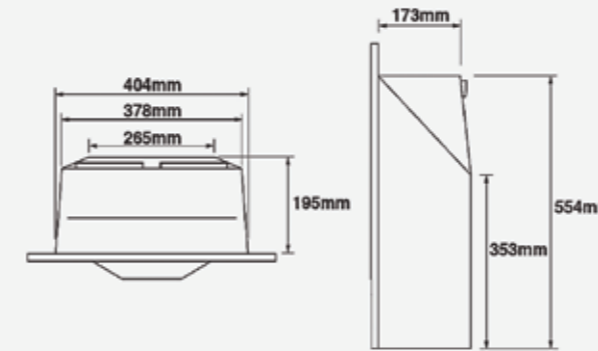
Natural Gas	Yes
L.P.G.	Yes
Manual Control	Yes
Slide Control	Yes
Remote Control	Yes

Technical Data

Output High	3.9kW
Efficiency	55%
Input High	6.9kW
Air vent required	No



Convector Plus



Options

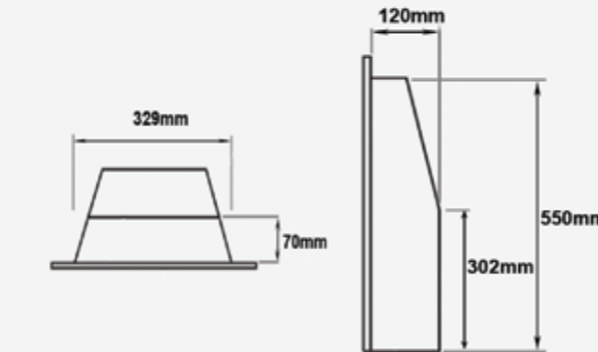
Natural Gas	Yes
L.P.G.	No
Manual Control	Yes
Slide Control	Yes
Remote Control	Yes

Technical Data

Output High	4.6kW
Efficiency	67%
Input High	6.9kW
Air vent required	No



Classic Multiflue



Options

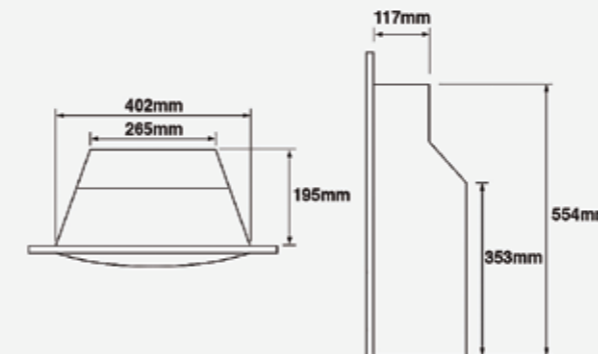
Natural Gas	Yes
L.P.G.	No
Manual Control	Yes
Slide Control	No
Remote Control	No

Technical Data

Output High	3.3kW
Efficiency	50%
Input High	6.5kW
Air vent required	No



Integra HE (High Efficiency)

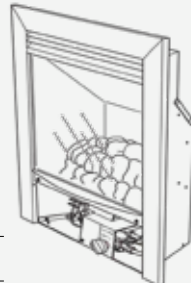


Options

Natural Gas	Yes
L.P.G.	No
Manual Control	Yes
Slide Control	Yes
Remote Control	Yes

Technical Data

Output High	3.8kW
Efficiency	83%
Input High	4.6kW
Air vent required	No



Balanced Flue - as Integra HE (appliance depth 193mm).

Fan Flue - same Engine as Integra HO (manual control only)

All Integra gas fires are fitted with Oxygen Depletion sensing pilots and Flame Supervision Devices.

We recommend that all Integra gas fires are installed and annually serviced by Gas Safe Registered Installers.



Cast Tec Ltd, East Side, Tyne Dock
South Shields, NE33 5SP

Tel: 0191 497 4280

Fax: 0191 497 4288

Email: sales@casttec.co.uk

Web: www.casttec.co.uk



V6. 2016

© Copyright Cast Tec Ltd

